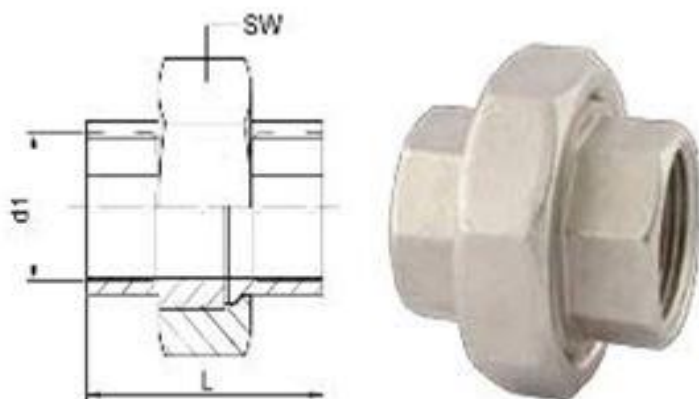


ŚRUBUNEK – ZŁĄCZE STOŻKOWE GW/GW



NW	d1	L	SW
6	1/8"	33mm	31mm
8	1/4"	43mm	35mm
10	3/8"	45mm	38mm
15	1/2"	45mm	42mm
20	3/4"	46mm	49mm
25	1"	51mm	60mm
32	1 1/4"	56mm	70mm
40	1 1/2"	59mm	77mm
50	2"	67mm	91mm
65	2 1/2"	83mm	110mm
80	3"	97mm	126mm